

TITLE CDT-240 Output general diagram CHASSIS (FAMILY): _____

ORIGINATOR: D. Matias DATE: 6/10/2024 CHECKED BY: RN AUTHORIZED BY: RN

PURPOSE: Simplified circuit of the output control and sense meters

REPORT No.: SR-CDT-012

EFFECTIVE DATE:

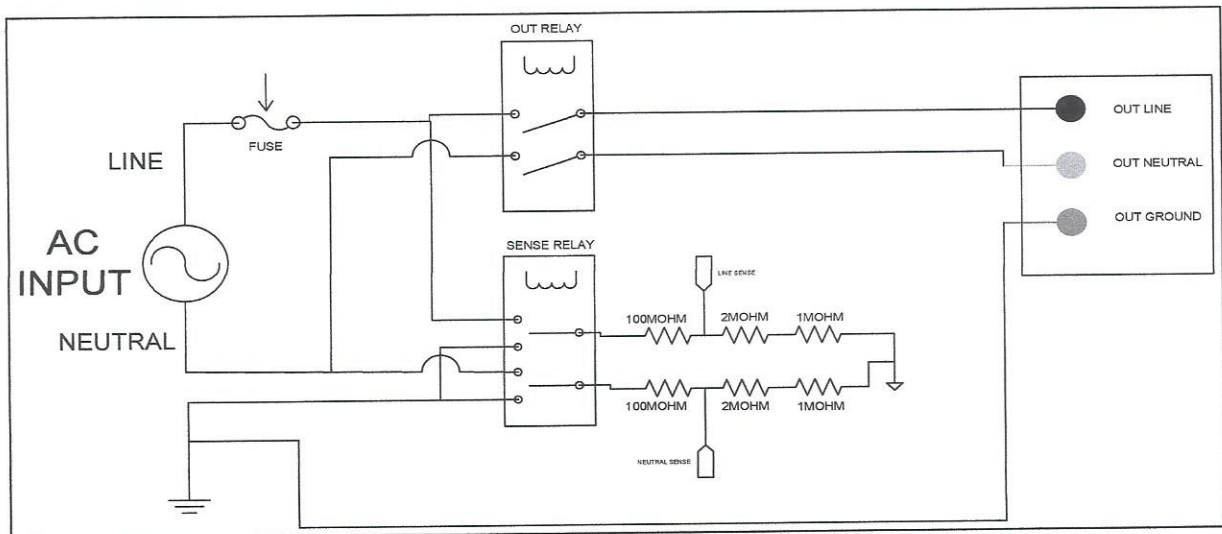
6/10/2024

MODELS AFFECTED: CDT-240

ANALYZED SET: _____

Conclusion:

CDT-240 internal output control wiring is explained in this document, main output control relay is turned ON when testing is performed, sense relay is turned ON when testing is performed, meter resistor is interpreted as the 3 in line resistor 100M ohm, 2 Mohm and 1 M ohm adjustable, sense circuit is a high impedance 10^{12} Ohm that does not affect the meter resistor, meter resistor is reference to an isolated ground, There is no capacitance on the meter circuit, parasit capacitance is lower than 25 pF, for a better interpretation and measurement of the internal impedance use document SR-CDT-001.



* SIDE EFFECT:

Cost Up/Down	\$
BOM	
PWB LAYOUT	
SCHEMATICS	
SPECS/MANUAL	
SOFTWARE	
DATA	
OTHER ()	